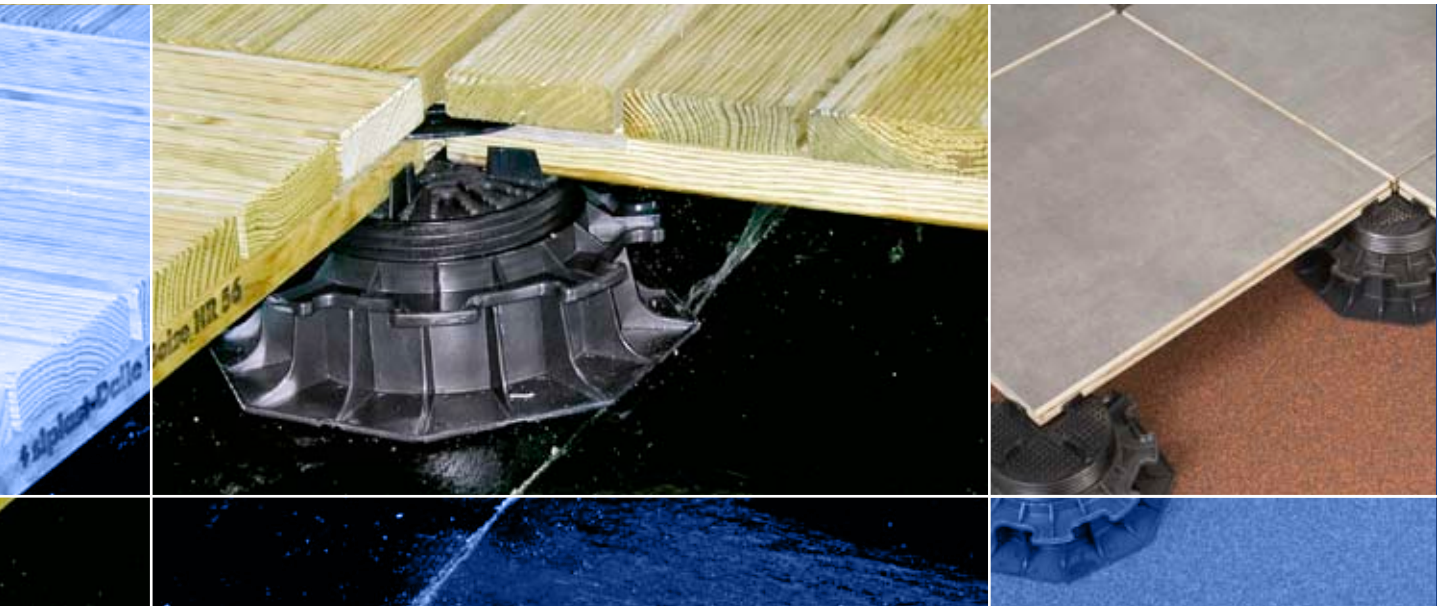


# Plot Zoom

Adjustable paving support system for paved and raised deck applications



- ▶ Very stable, even at considerable height due to the large diameter of the base and the surface area of the support head
- ▶ Long lasting thanks to its mechanism that prevents unscrewing under load
- ▶ High resistance to impacts and applied loads with a good protection of the underlying waterproofing due to the wide, load spreading base
- ▶ Easy to install: accurate height adjustment without uplift of slabs thanks to the operating nut and extension rings
- ▶ Full range of accessories for both concrete paving and timber decking tiles

## Packaging

Plot Zoom 40-65:	Plot Zoom 60-10:	Plot Zoom 100-145:	Extension rings:
Packs of 27 units	Packs of 18 units	Packs of 11 units	Boxes of 30 units

## Main uses

- Flat roofs accessible to pedestrians.
- In combination with Teranap JS or Preflex + Graviflex waterproofing systems.

## Description

Screw-adjustable support for paved and raised deck areas, terraces and walkways, comprising:

- a load-spreading base with large diameter (for stability);
- an adjusting nut;
- a support head;
- one or two extension rings if necessary (not compatible with Plot Zoom 40-65);
- a cushioning pad (sold separately) is strongly recommended.

## Performances

- Load-spreading base: surface area = about 330cm<sup>2</sup>.
- Mechanical resistance under centred load at 20°C on a single support, adjusted to maximum height: load = 2t.
- Test report VERITAS DLC/88216.

## Complementary information

Data sheets: Teranap Dalles sur Plots, Preflex + Graviflex.

## Customs nomenclature

39.25.90.90.0.00.0.Q.

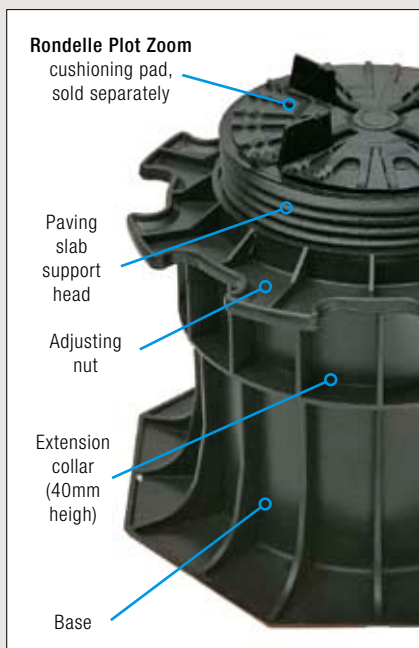
## Safety

**Plot Zoom** is not rated as dangerous (for the applications described in this document).

This document is only a guide. Siplast-Icopal reserves the right to change the composition and fixing recommendations of products as a result of evolution of knowledge and technology.

# Plot Zoom

Adjustable paving support system for paved and raised deck applications



Example assembly: Plot Zoom 100-145 with one extension ring

## Accessories

### Rondelle Plot Zoom

- Description: cushioning pad of elastomeric material.
- Use: placed on the top of the support head, it improves the stability of the paving slabs and the performance of the Plot Zoom system with regard to noise reduction (reduction of 2 dBA).
- Packaging: in cartons of 36 packets, each containing 30 pads.

**Note:** For the Dalle Boise timber deck tile, use the specific "Rondelle Dalle Boise" cushioning pad.



Placadal

### Placadal (plate)

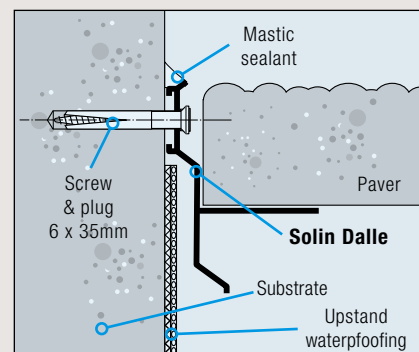
- Description: support plate for fitting two adjacent Plot Zoom support to support cut tiles. (Patented system).
- Use: Generally at perimeters and around interruptions.
- Composition: polypropylene.
- Dimensions: 400mm x 140mm x 29mm. Minimum height adjustment: 55mm.
- Packaging: in cartons of 30 units (10kg)

### Caillebotis (drainage grate support)

- Description: rigid, self-supporting, removable grating with a retaining tray.
- Use: against perimeter upstands and under thresholds to create an easily maintainable roof drainage channel.
- Composition:
  - ▶ Grating: ivory coloured, rigid PVC.
  - ▶ Filtration tray: perforated galvanised steel.
- Length: 50cm – Width: 10cm – Thickness: 5cm.
- Packaging: in cartons of 20 units, ie. 10m total length.

### Solin Dalle paving edge support

- Aluminium profile for the support of paving adjacent to upstands and walls.
- The profile is designed to act as a cover flashing to the waterproofing and has a compressible foam backing to ensure a watertight seal against the upstand when fixed. The top rebate is finished with a foam packing to receive a suitable mastic seal. The linear supports are complimented with pre-formed 90° internal and external angles.



Height adjustment range without cushioning pad (mm)				
40 – 65	60 – 105	100 – 145	140 – 185	180 – 225
<b>A</b>	<b>B</b>	<b>C</b>	<b>D + C</b>	<b>D + D + C</b>
		OU	OU	
		<b>D + B</b>	<b>D + D + B</b>	
<b>A</b> Plot Zoom 40-65mm	<b>B</b> Plot Zoom 60-105mm	<b>C</b> Plot Zoom 100-145mm	<b>D</b> Extension ring 40mm	

Subject to confirmation of stability



12, rue de la Renaissance  
F-92184 Antony Cedex  
Tél. +33 (0)1 40 96 35 00  
Fax. +33 (0)1 46 66 24 85  
www.siplast-international.com

